

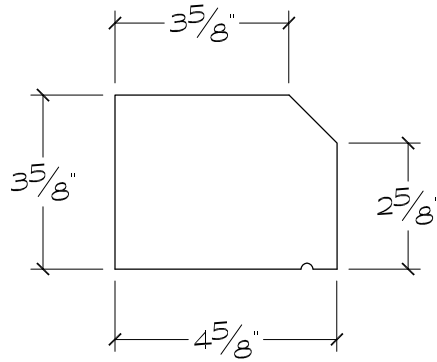
Harvey Cement Products, Inc.

Since 1947

16030 Park Avenue, Harvey, IL 60426

Ph: 708.333.1900 F: 708.333.1910

www.harveycement.com



PROFILE

INVERT TO USE AS CORNICE

Profile ID

162

SUGGESTED USE

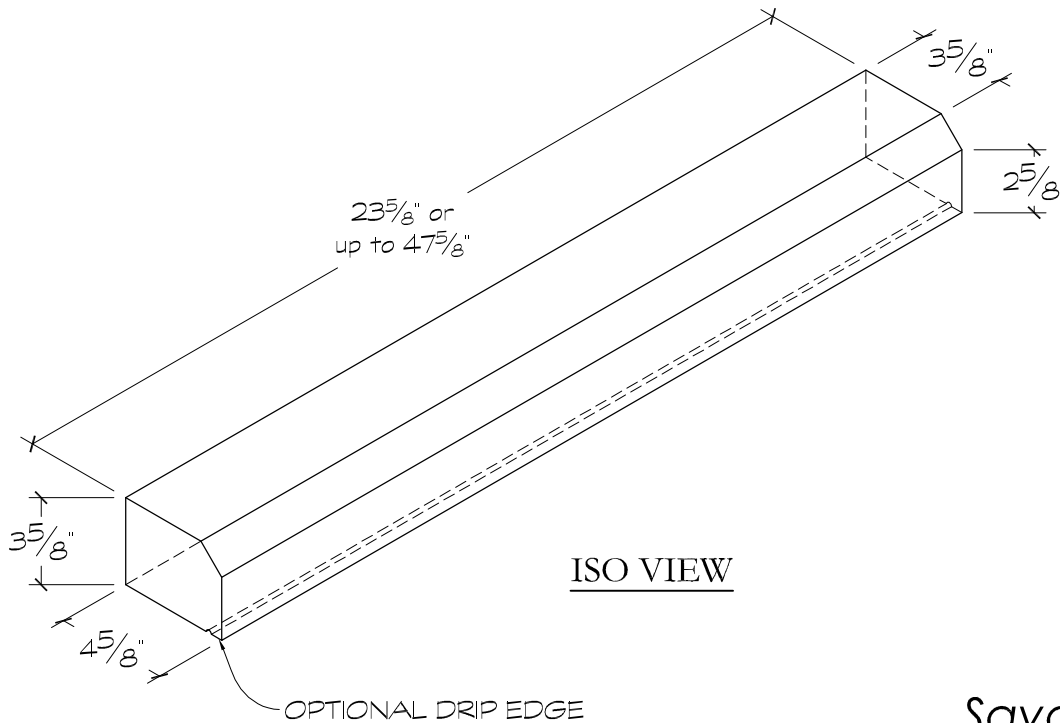
Sill	×
Transition Band	
Cap	
Field	
Band	×
Cornice	×

TYPE / SIZE
AVAILABILITY

TYPE	LENGTH(S)
Straight Standard	23 5/8"
Straight available up to 47 5/8"	

FINISH

Smooth



ISO VIEW

SavannaStone®